

TUFFDiSC™
Future of Pumping



Simple Pumps for Delicate and Tough Products

TUFFDiSC™ pumps offer maximum performance, efficiency and durability, thanks to an innovative and efficient and open design that reduces clogging and prevents excessive pump wear due to abrasion, high viscosity, corrosion & cavitation.

TUFFDiSC™ pumps are uniquely designed and manufactured, it has series of parallel discs called disc plates that rotate and create a highly viscous resistant boundary layer. This generates a unique non-pulsating laminar-flow, non-impingement pumping system.

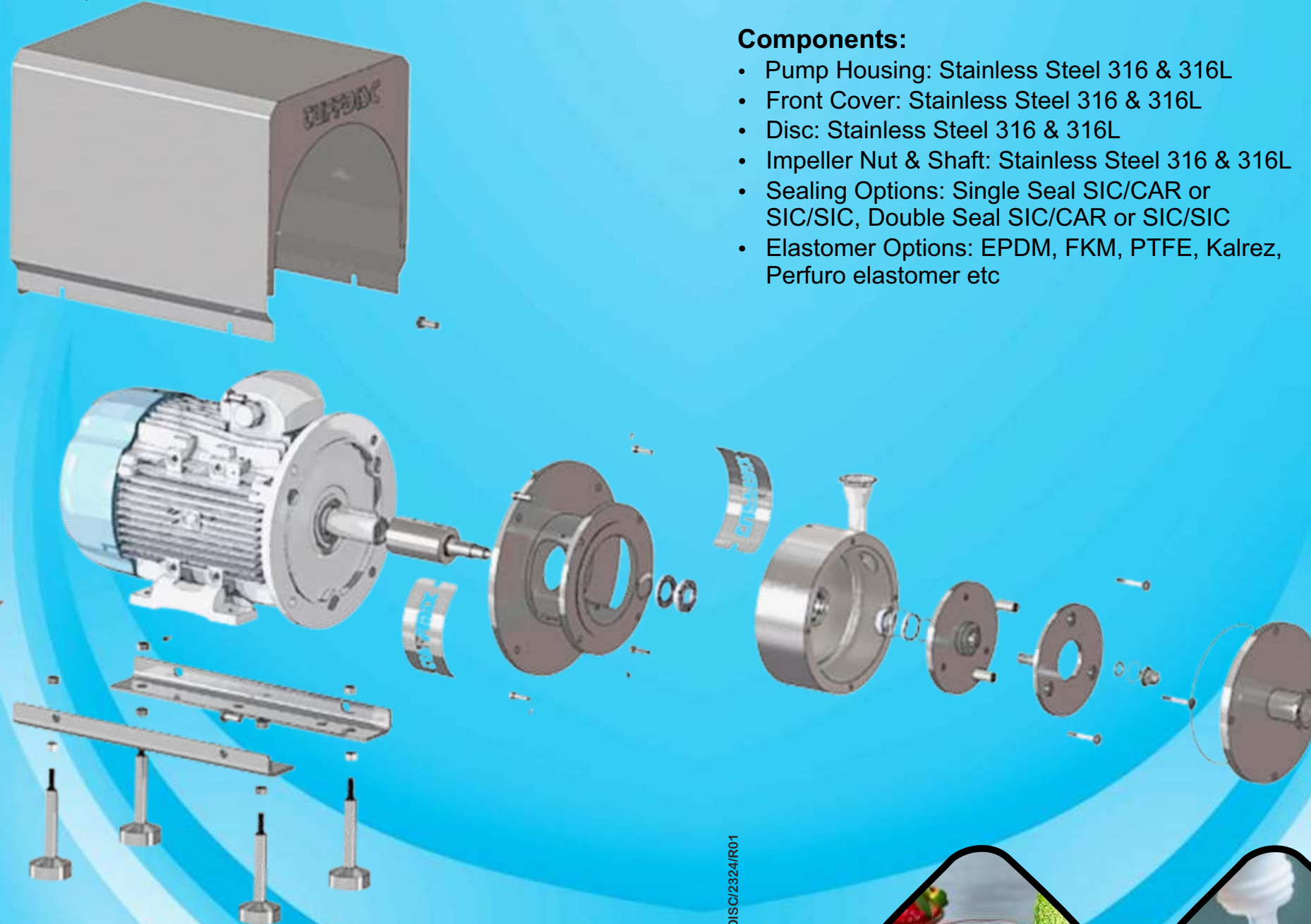
TUFFDiSC™ pumps are suitable for pumping shear sensitive products, solids and gaseous foams, as well as more severe applications with high viscosities and high solid contents with a harsh abrasion.

Specifications:

- Capacity up to – 100 m3/hr
- Head up to – 100 meter
- Connections – 1.5” to 4”
- Solid Size up to – 3”
- Viscosity up to 200,000CPS
- Temperature up to 150° C

Components:

- Pump Housing: Stainless Steel 316 & 316L
- Front Cover: Stainless Steel 316 & 316L
- Disc: Stainless Steel 316 & 316L
- Impeller Nut & Shaft: Stainless Steel 316 & 316L
- Sealing Options: Single Seal SIC/CAR or SIC/SIC, Double Seal SIC/CAR or SIC/SIC
- Elastomer Options: EPDM, FKM, PTFE, Kalrez, Perfuro elastomer etc



Features:

- No Close Tolerances
- Lesser Radial & Axial Loads
- Non-Impinging Design
- No Pulsations & Laminar Flow
- High Viscosity capability
- Open design for greater ease in assembly & prevent clogging

Benefits:

- Greater efficiency
- Lower parts wear, low maintenance
- No damage to delicate and shear sensitive products
- Can easily pump large & stringy solids
- No vibrations or excessive noise
- Low NPSH required

DOC. NO.: CAT/TUFFDiSC/2324/R01

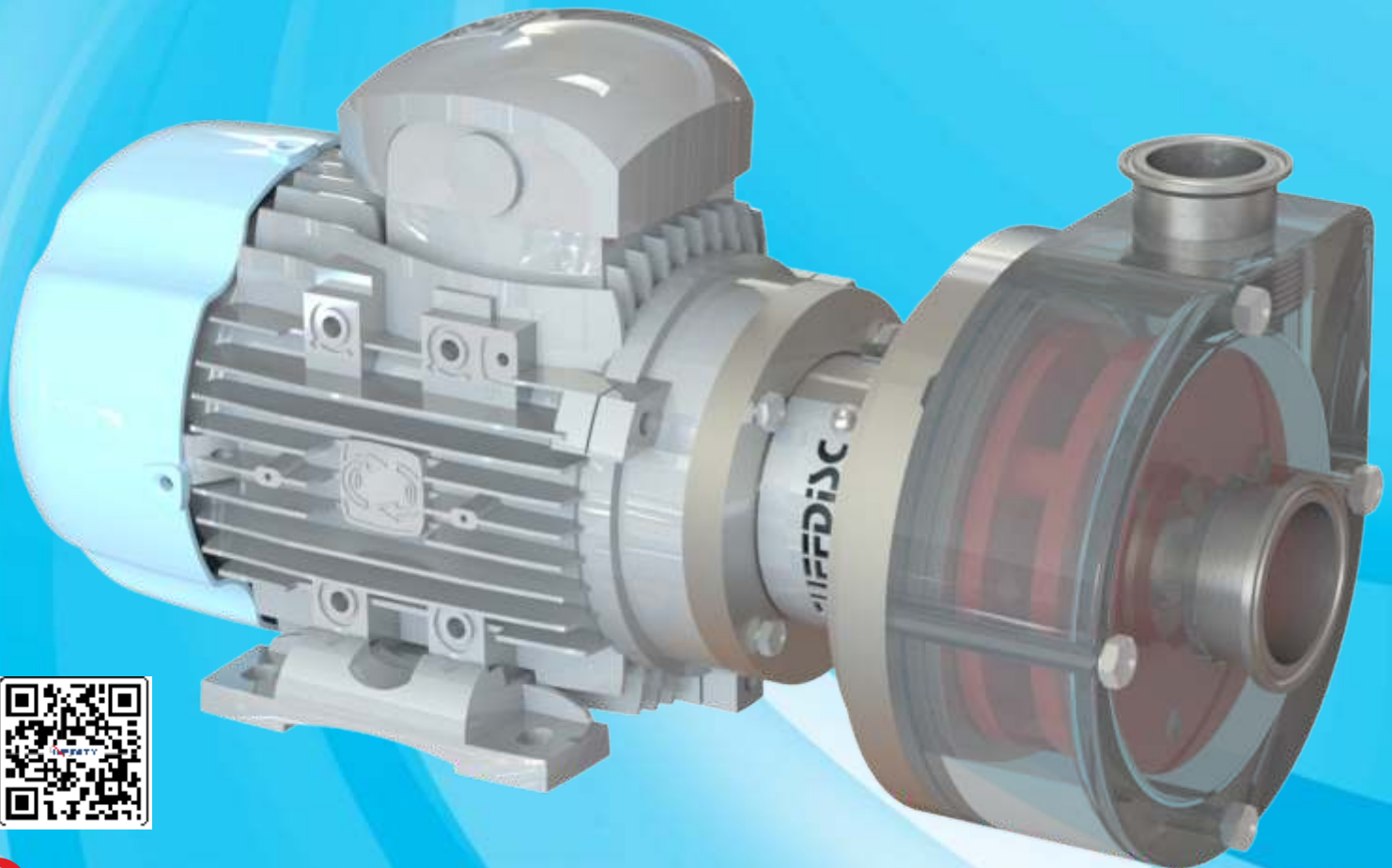
Simple Pumps for Delicate and Tough Products



DOC. NO.: CAT/TUFFDiSC/2324/R01

Applications:

- Apple Butter, Butter & Peanut Butter
- Banana Puree, Puree-Fruit
- Beer
- Potato Slurry
- Candy Premix
- Caramel
- Corn – Whole, Corn-Slurry, Rice-Whole
- Dairy product
- Edible Oils, Palm Oil
- Fruit Pulp
- Honey
- Malt Syrup
- Margarine
- Mayonnaise
- Milk Concentrate
- Olives
- Shrimp
- Sliced Potatoes
- Soft Drink Syrup
- Orange Pulp
- Syrup-Corn
- Syrup-Sugar
- Tomato Paste
- Sauces
- Vegetable Whole
- Whey Concentrate
- Yeast Slurry
- Yogurt
- Soybean
- Ice-Cream
- Mustard
- Salad Dressing
- Cheese Spread
- Cake Premix
- Cream
- Chocolate
- Protein
- Jams & Jellies
- Muffin Mix
- Bakery Sludge
- Sorbitol
- ALS
- Scrubs
- Hair Oils
- Hair Colour
- Hair Gel
- Wax
- Essential Oils
- Shampoo
- SLES
- Body Wash
- Face Wash
- Moisturiser & Lotion
- Hand Wash
- Liquid Soap
- Liquid Oral – Cough Syrups
- Eye Drops
- Nasal Sprays
- Suspensions
- Glycerin
- Polypropylene Glycol



DOC. NO.: CAT/TUFFDISC/2324/R01



INFINITY
Pumps & Systems Pvt. Ltd.

12/25, Site-IV, Sahibabad Ind. Area, Ghaziabad-201010, U.P., (INDIA)

Telephone: +91-9811764048/9811766848. Helpline: +91-9811016348

Email: info@infinitypumps.com. Website: www.infinitypumps.com

TUFFDISCTM